

# Interior Options

612-710-2440

Window Measure Worksheet

www.interioroptions.net

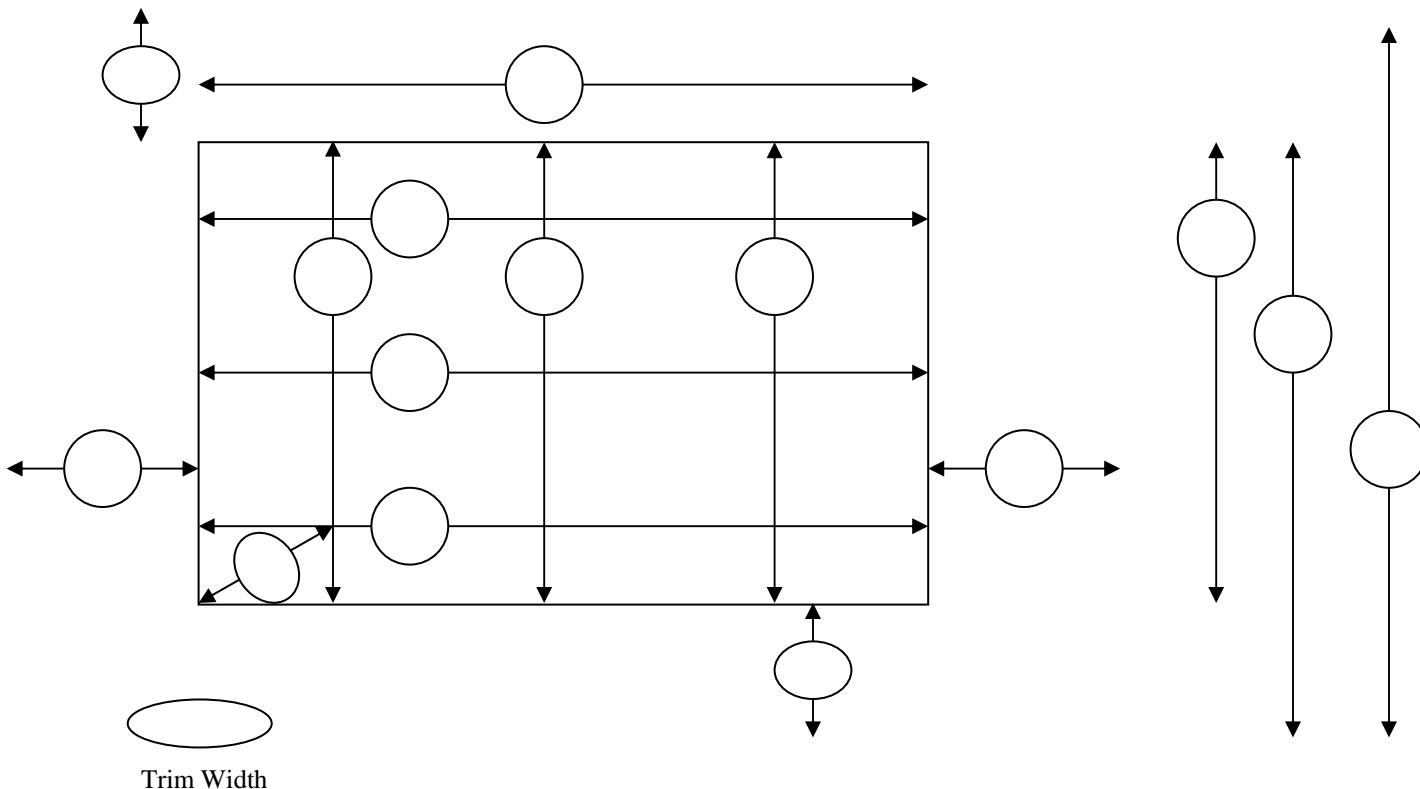
Client Name \_\_\_\_\_

Order Date \_\_\_\_\_

Room \_\_\_\_\_

Invoice No. \_\_\_\_\_

Window No. \_\_\_\_\_



## Outside mount

Width (M-M) \_\_\_\_\_

Length (M-M) \_\_\_\_\_

(M-F) \_\_\_\_\_

(C-F) \_\_\_\_\_

Side to object (R) \_\_\_\_\_

(L) \_\_\_\_\_

## Inside mount

Width smallest \_\_\_\_\_

Length smallest \_\_\_\_\_

Window Depth \_\_\_\_\_

Notes \_\_\_\_\_

\_\_\_\_\_

\_\_\_\_\_

\_\_\_\_\_

\_\_\_\_\_

\_\_\_\_\_